



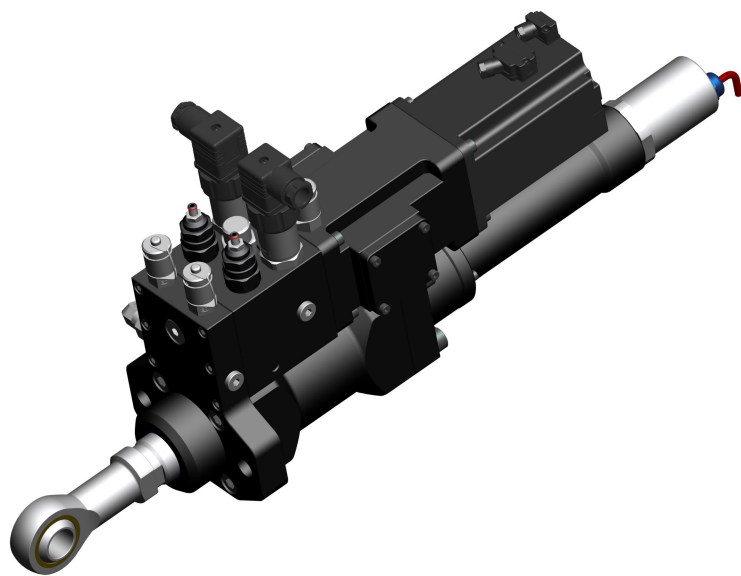
贵阳海之力液压有限公司
Guiyang HYC hydraulic co.,ltd.



产品手册

Product Manual

Version:2023



响应前沿技术需求

Catering to Cutting-edge Technological Demands

关注特殊应用领域

Paying Attention to Special Applications

贵阳海之力液压有限公司 成立于2014年，国家高新技术企业，贵州省科技型种子企业。

海之力液压定位于技术型、创新型公司，专注于机电液方向，响应前沿技术需求，关注特殊应用领域，坚持自主创新研发及其应用推广。公司研发团队工程经验丰富，擅长液压元件及机电液成套系统的创新研发。公司拥有多项发明专利，产品涉及领域有产业机械、机器人、市政设施、舰艇船舶、深海探测等。

Guiyang HYC Hydraulic Co.,LTD, established in 2014, is a national high-tech company and was awarded the title of science and technology seed enterprise in Guizhou Province. Positioned as a technology-oriented and innovative company, HYC Hydraulics focuses on the the field of electromechanical hydraulics, caters to cutting-edge technological demands, pays attention to special applications, and insists on independent innovation research and development. The company's R&D team possessing extensive engineering experience, is skilled in innovative research of hydraulic components and electromechanical hydraulic systems. The company has a number of invention patents, whose products were involved in the fields of industrial machinery, robots, municipal facilities, ships, deep-sea exploration,etc.

■ 主营产品 Main Products

- 四象限微型高压柱塞泵 Four-quadrant Micropump
- 电动静液作动器 (EHA) Electro-Hydrostatic Actuator
- 特殊用途液压件 Hydraulic Component for Special Applications
- 机电液集成设备 Electromechanical Hydraulic Integrated Equipment



0851-86320695



<http://www.hzl-hydraulic.com>

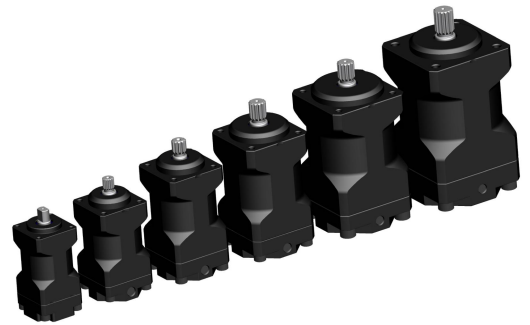


Web

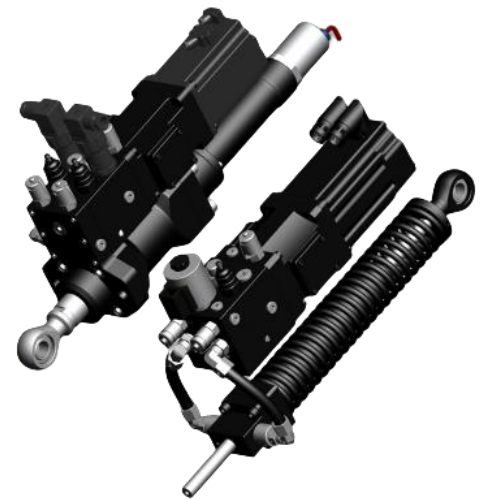


WeChat

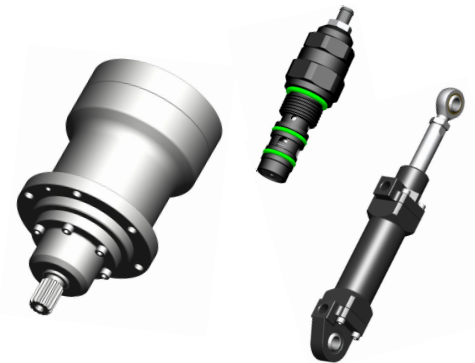
四象限微型高压柱塞泵
Four-quadrant Micropump



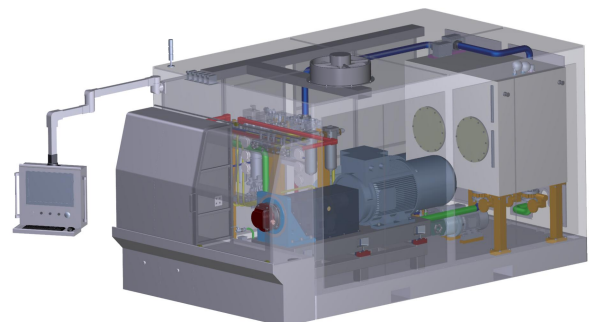
电动静液作动器 (EHA)
Electro-Hydrostatic Actuator



特殊用途液压件
Hydraulic Component
for Special Applications

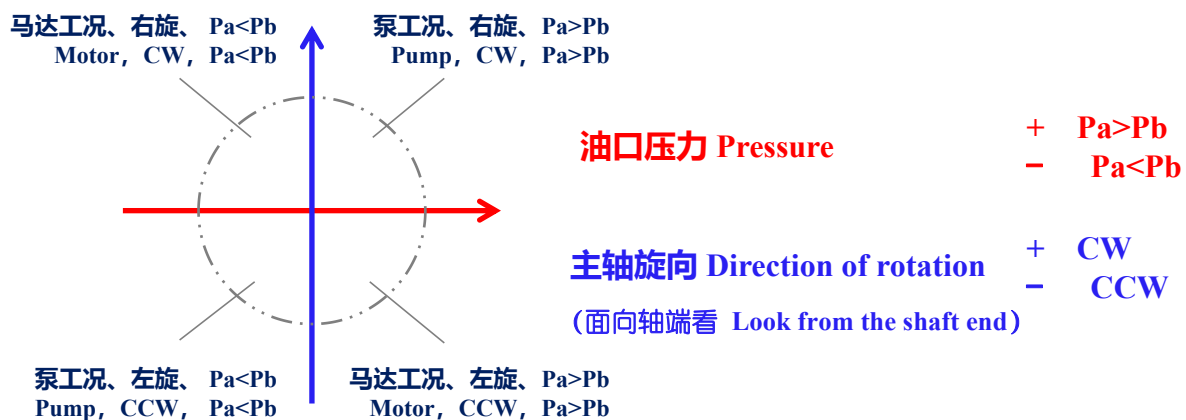
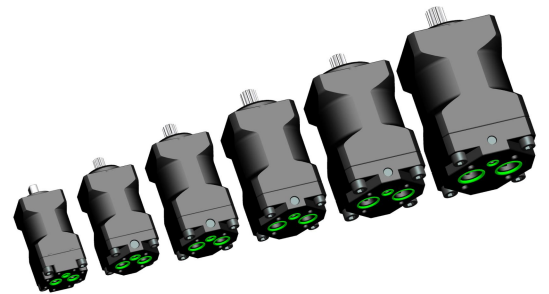


机电液集成设备
Electromechanical Hydraulic
Integrated Equipment



产品简介 Product Profile

- HYC-MP1F系列四象限微型高压柱塞泵，主要针对伺服泵控容积调速系统的应用需求而研发，可四象限工作，适用于闭式回路，也适用于开式回路。结构紧凑，强调小型化和轻量化。工作压力高，调速范围宽。HYC-MP1F series four-quadrant micropump is mainly developed for the application of pump-controlled servo system. It can work in four quadrants and is suitable for both closed circuit and open circuit. Designed for compactness, the pump emphasizes miniaturization and lightweight. It also has high working pressure along with wide speed range.
- 斜盘式轴向柱塞泵，球面配流 Swashplate axial piston pump, spherical port plate pair
- 柱塞数量 Number of pistons: 9 ($>1.6\text{cc/r}$) ; 7 ($\leq 1.6\text{cc/r}$)
- 双向旋转，进出油方向可逆 Bidirectional, oil inlet and outlet are reversible
- 适应马达工况 Adapted to motor conditions
- 良好的低速性能 Good performance at low speed
- 尤其适用于电动静液作动器 Especially suitable for electro-hydrostatic actuators



型号说明 Type Explanation

HYC	-	MP1	F	1	B	/A	-*
-----	---	-----	---	---	---	----	----

HYC-海之力液压 HYC hydraulics

MP1-四象限微型高压柱塞泵 Four-quadrant micropump

F-定排量 Fixed displacement

排量规格 Displacement (cc/r)

基础型 Prototype: 1 1.6 2.6 4 6.5 10

衍生型 Derived type: 0.4 0.65 1.3 2 3.2 5 8

旋向 (面向轴端看) Direction of rotation

B-双向旋转 B: Bidirectional

转速级别 Speed class

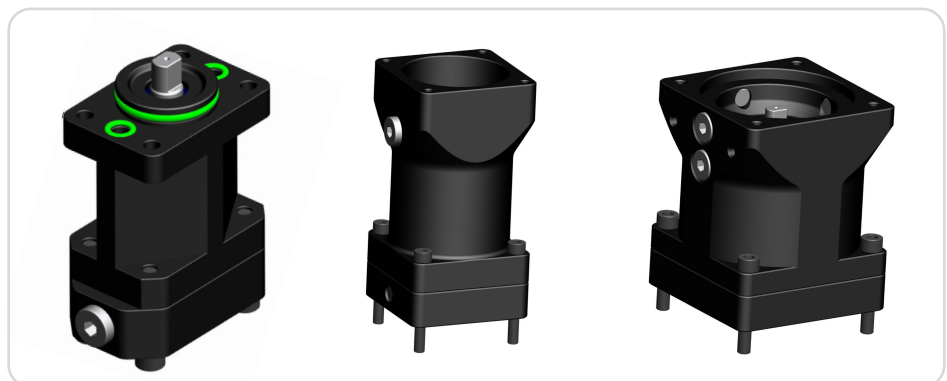
省略-标准级 Omit: Standard

A-高速级 A: High-speed

特殊定制代号 (标准产品省略)

Special custom code (omitted from standard products) ①

① 安装接口形式可按需定制，最小起订量10台。It can be customized, the MOQ is 10 pcs.



- 在必要时本公司可能对产品型号编制规则进行修订，订货前请与本公司确认 If necessary, the company may revise the naming rules of product model. Please confirm with the company before ordering.

技术参数表 Technical Data

排量规格 Displacement (cc/r)	基础型 Prototype	1	1.6	2.6	4	6.5	10
	衍生型 Derived type	0.4	0.65	1.3	2	3.2	5
旋转方向 Direction of rotation	双向旋转 Bidirectional						
额定压力 Rated pressure (MPa)	30	30	30	30	30	30	30
最高压力 Max pressure (MPa)	35	35	35	35	35	35	35
T口最高压力 Max pressure of T port (MPa)	0.2	0.2	0.2	0.2	0.2	0.2	0.2
连续使用转速范围 Speed range for continuous operation (rpm)	标准级 Standard ①	200-5000	200-5000	200-5000	200-5000	100-4500	100-4000
	高速级 High-speed	200-10000 ②	未发布 Unpublished				
短时使用转速范围 Speed range for short-duration operation (rpm)	标准级 Standard ①	0-6000	0-6000	0-6000	0-5500	0-5000	0-4500
	高速级 High-speed	0-12000 ②	未发布 Unpublished				
转动惯量 Moment of inertia (kg.cm ²)	0.20	0.51	0.85	1.78	3.49	7.36	
重量 Weight (kg)	标准级 Standard	0.45	0.68	0.98	1.45	2.15	3.2
	高速级 High-speed	0.52	未发布 Unpublished				

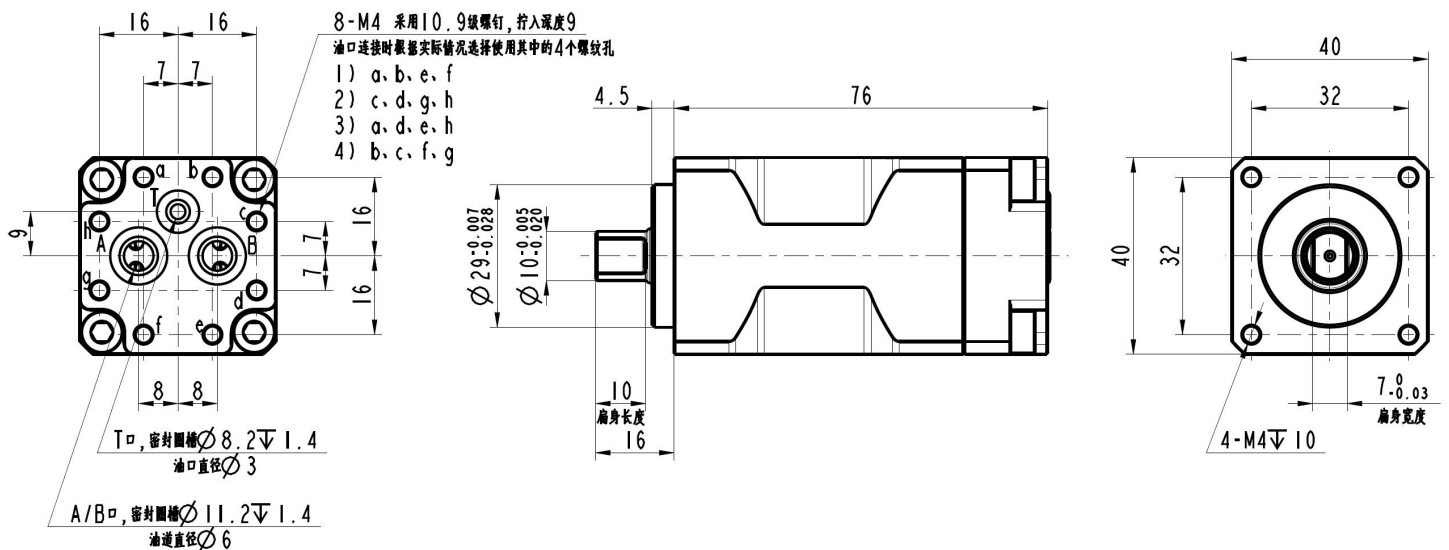
① 泵进口增压时，或作为马达使用时，允许更高转速。详情请与本公司联系确认。 Higher speed is allowed when the pump inlet is pressurized, or used as a motor. Please contact the company for details.

② 当转速超过8000rpm，要求泵进口增压。 When the speed exceeds 8000rpm, the pump inlet is required to be pressurized.

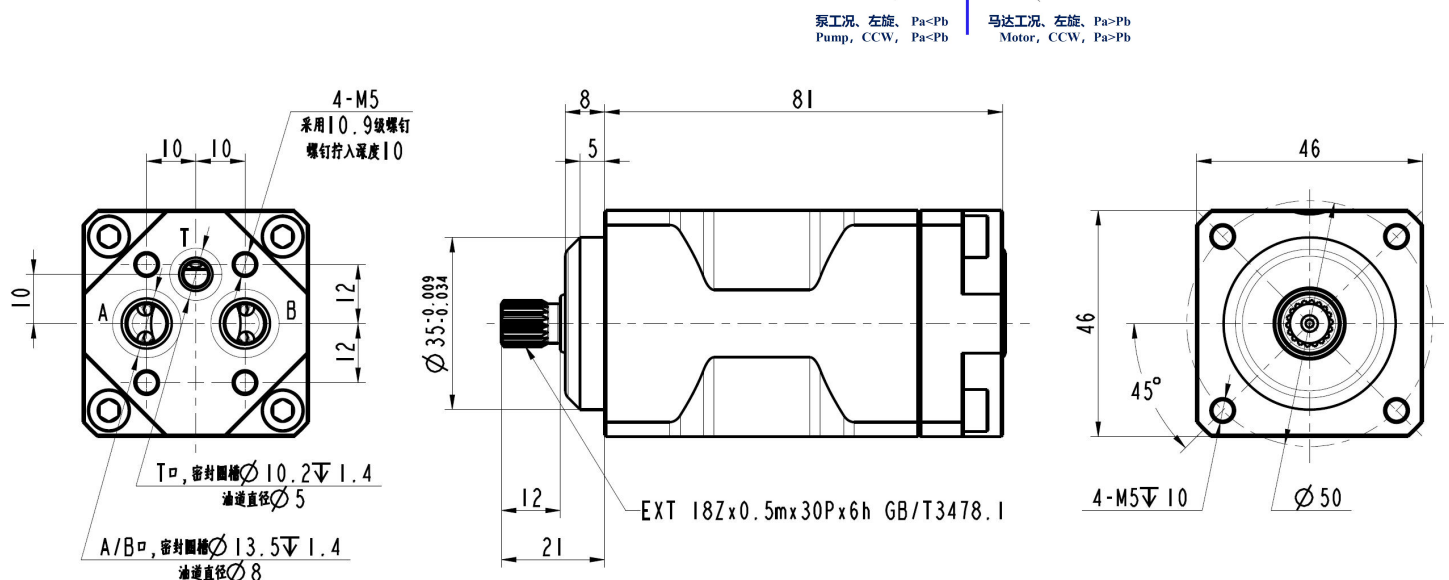
- 由于使用工况的复杂多样，不能保证上表所列参数适用于特定的用途，选型前请于本公司确认，以技术协议为准。 Due to the complexity and diversity of using conditions, there is no guarantee that the parameters listed above are suitable for specific purposes. Please confirm with the company before selection and subject to the technical agreement.
- 必要时我们将修订技术参数表，并在公司网站上发布新版技术资料。 If necessary, we will update the technical data on the company website.

标准产品外形安装尺寸 Mounting Dimensions of Standard Product

HYC-MP1F1B HYC-MP1F0.65B HYC-MP1F0.4B

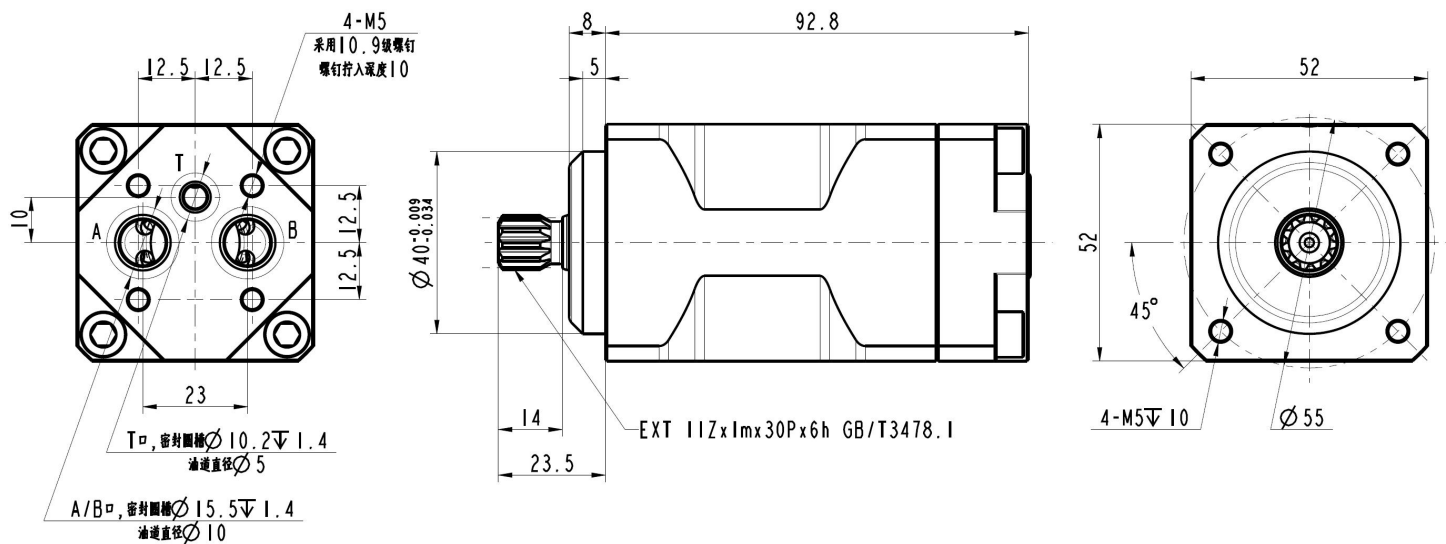


HYC-MP1F1.6B HYC-MP1F1.3B

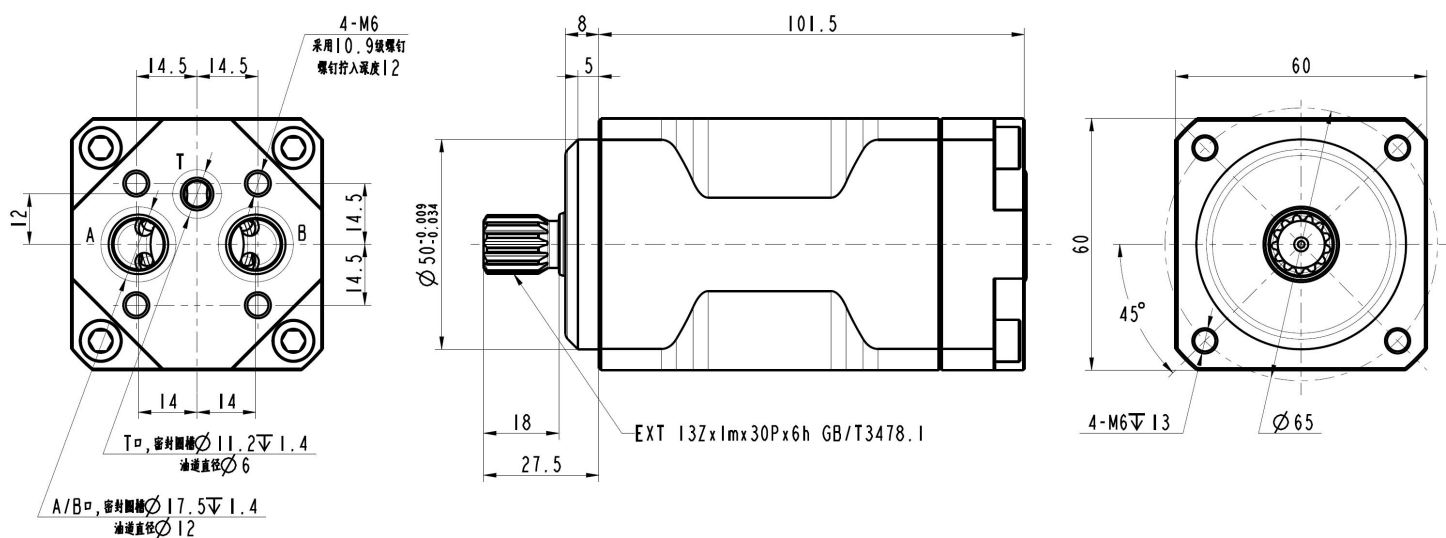


标准产品外形安装尺寸 Mounting Dimensions of Standard Product

HYC-MP1F2.6B HYC-MP1F2B

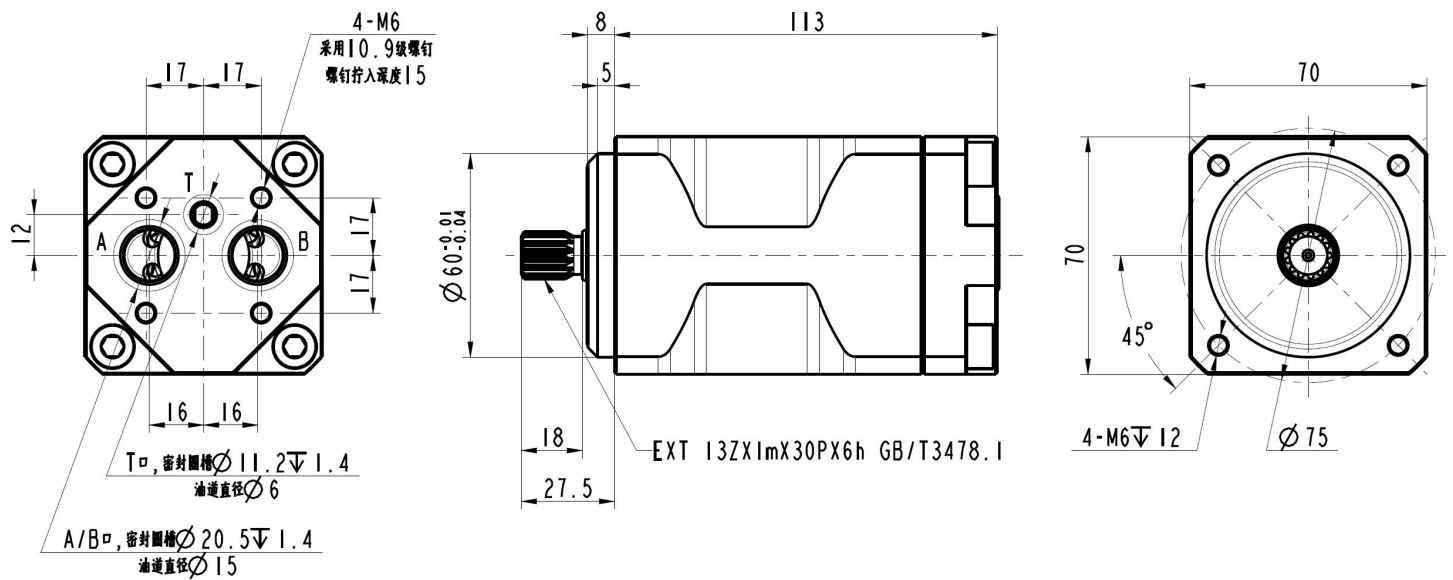


HYC-MP1F4B HYC-MP1F3.2B

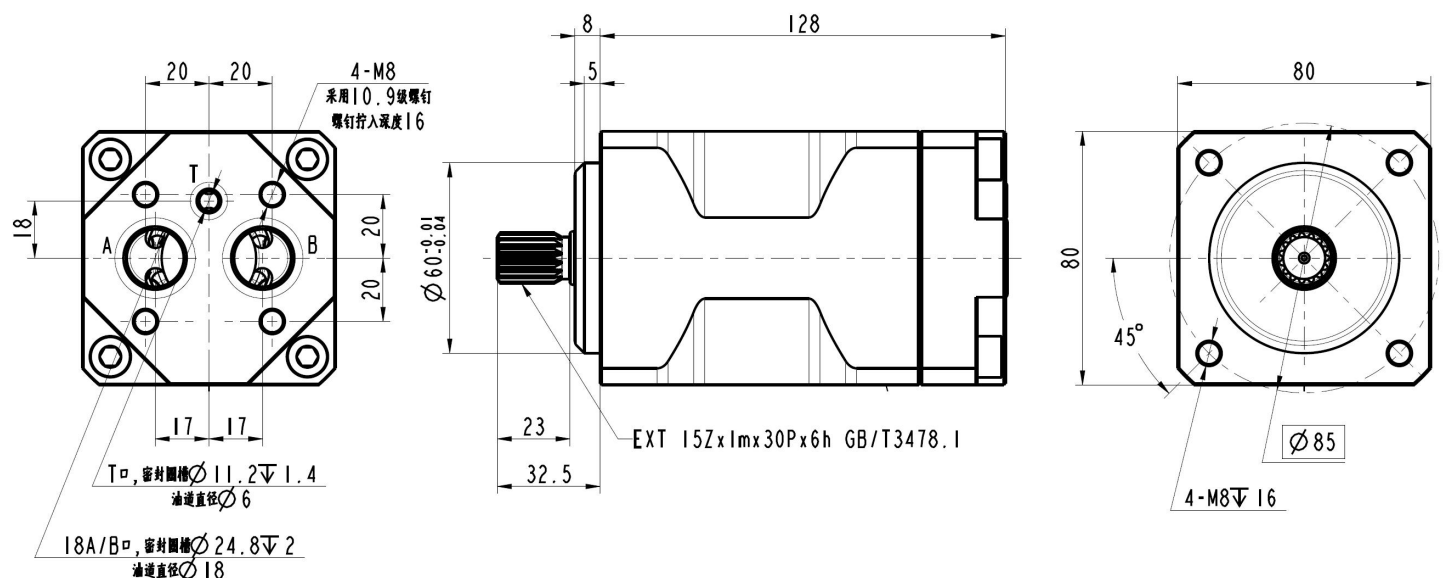


标准产品外形安装尺寸 Mounting Dimensions of Standard Product

HYC-MP1F6.5B HYC-MP1F5B

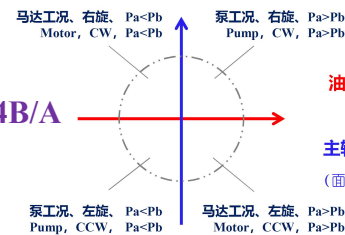


HYC-MP1F10B HYC-MP1F8B

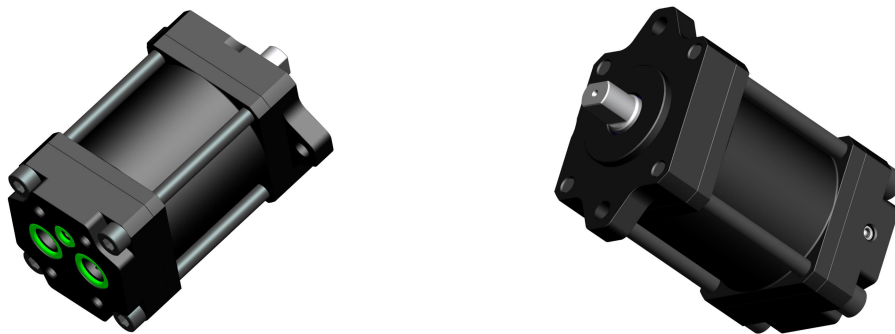
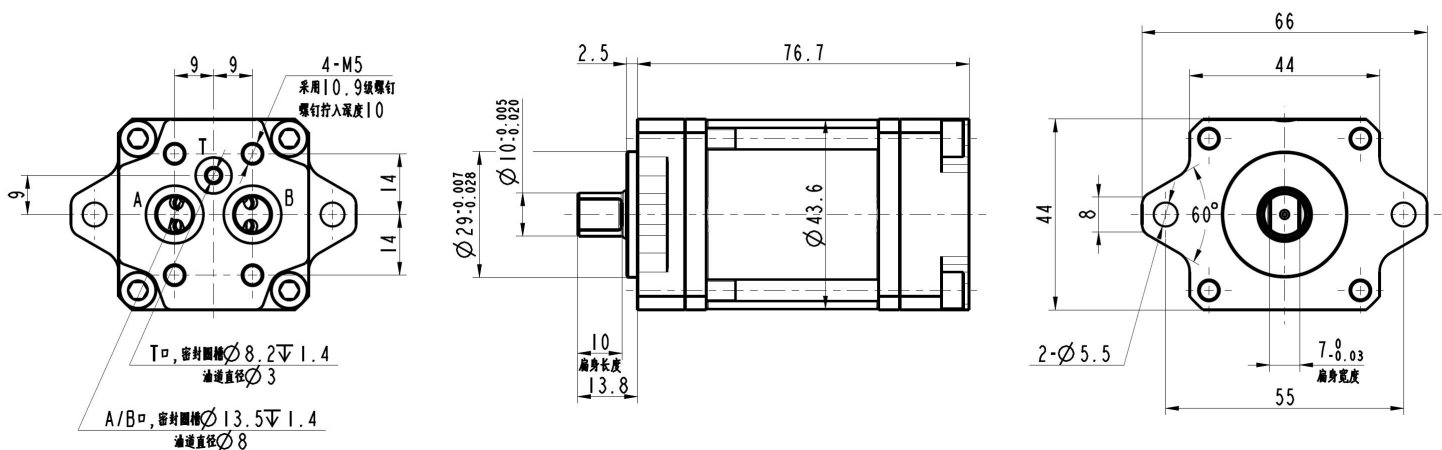


高速级产品外形安装尺寸 Mounting Dimensions of High-speed Pump

HYC-MP1F1B/A HYC-MP1F0.65B/A HYC-MP1F0.4B/A



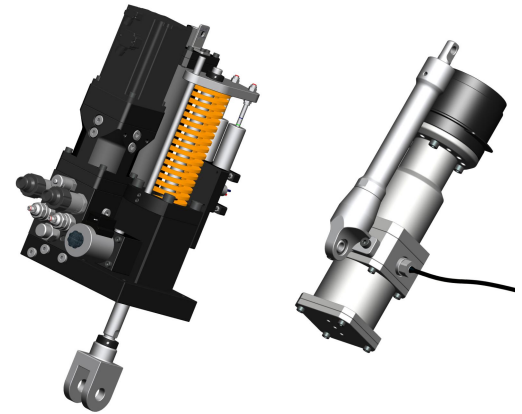
油口压力 Pressure + Pa>Pb
 - Pa<Pb
 主轴旋向 Direction of rotation + CW
 - CCW
 (面向轴端看 Look from the shaft end)



- 其余规格的高速级产品暂不能供货，我们将在适当时机发布产品并更新技术资料，请持续关注本公司网站或微信公众号。 Other specifications of high-speed products can not be supplied, we will release new products and update technical information in due course, please continue to pay attention to our website or WeChat official account.

产品简介 Product Profile

- HYC-EHA系列电动静液作动器，是一种集成了伺服电机、双向柱塞泵（进出油方向可逆）、阀组、执行机构（油缸或马达）、以及油箱、过滤器、传感器等辅助元件的成套静液传动装置。采用泵控容积调速，传动效率高。通过改变伺服电机旋向和转速来调节执行机构运行方向和运行速度。



HYC-EHA series Electro-hydrostatic

actuator is a complete set of hydrostatic transmission device that integrates servo motor, bidirectional pump, valves, and auxiliary components such as tank, filters and sensors. With the characteristics of pump-controlled volume speed regulation and high transmission efficiency. The actuator can be manipulated by adjusting rotation direction and speed of servo motor.

- EHA将液压系统的动力元件、控制元件、执行元件和辅助元件集成一体，安装布局灵活，使用便利。 EHA integrates power components, control components, actuators and auxiliary components of the hydraulic system, making it flexible in installation layout and easy to use.
- EHA通常采用闭式回路，根据具体使用需求，也可以设计为开式回路或半开式回路。 EHA is usually designed with a closed circuit, and may also be an open or semi-open circuit according to the specific needs.
- 本公司研制的四象限高压柱塞泵，尤其适用于EHA。 The four-quadrant high pressure piston pump developed by our company is especially suitable for EHA.
- 本公司为EHA研制的溢流&平衡阀，在提升EHA工作性能的同时，大幅简化液压回路，集成阀块外形体积更小，重量更轻。 The relief&counterbalance valve developed by our company for EHA can dramatically simplify the hydraulic circuit while improving the working performance of EHA. The integrated valve block is smaller in shape and lighter in weight.

产品简介 Product Profile

- 本公司为EHA研制的流量匹配阀，适用于执行机构为非对称油缸的应用需求。该阀标准产品为板式安装，也可内嵌于泵的端盖内部，有效提高EHA集成化程度。The flow-matching valve developed by our company for EHA is suitable for applications where the actuator is an asymmetric cylinder. The standard product of the valve is plate-mounted, and it can also be embedded in the pump to effectively improve the integration degree of EHA.
- EHA通常采用封闭式弹性油箱，以便EHA可工作于任意姿态。根据具体使用要求，可选择采用活塞式增压油箱，或气囊式增压/常压油箱。EHA is usually designed with a closed elastic tank so that it can work in any posture. According to the specific requirements, you can choose to use piston-type pressurized tank or bag-type pressurized/atmospheric-pressure tank.
- 当应用环境为深海时，本公司可为EHA配置水压补偿器，使EHA内部压力与外部水压实时匹配。When applied to the deep sea, the EHA can be configured with a water pressure compensator, so that the internal pressure of the EHA is matched with the external pressure in real time.
- 必要时本公司可为EHA研制专用的液压阀，以实现特殊功能需求或特殊安装需求。If necessary, our company can develop special hydraulic valves for EHA to meet particular requirements.
- 不同用途的EHA，具体功能配置要求一般也不同，故EHA通常为定制产品，选型前请与本公司进行技术沟通。Generally, the specific configuration parameters of EHA varies when for different purposes, so EHA is usually a customized product. Please communicate with our company before selection.

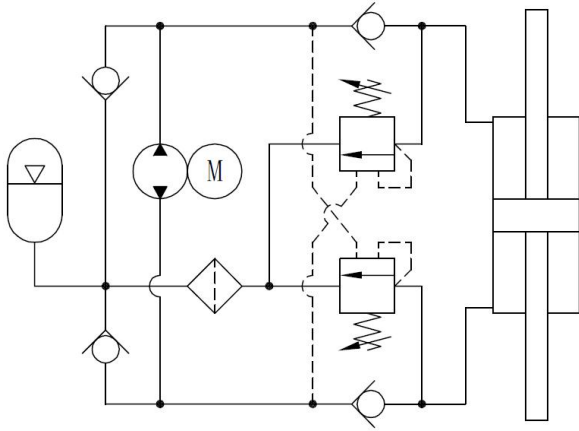
型号说明 Type Explanation

HYC	-	EHA	1kW	-	L	55kN	/	50mm	-*
HYC-海之力液压 HYC hydraulics		EHA-电动静液作动器 Electro-Hydrostatic Actuator			电机额定功率 Rated power of motor		执行器工作方式 Actuator working mode		
		EHA.PS-EHA动力源 Power Source of EHA ①			L-直线驱动 Linear driving		R-旋转驱动 Rotation driving		
					执行器额定输出力/力矩 Rated output force/torque of actuator		执行器额定行程或摆角 Rated stroke or swing angle of actuator		
							定制代号 Custom code ②		

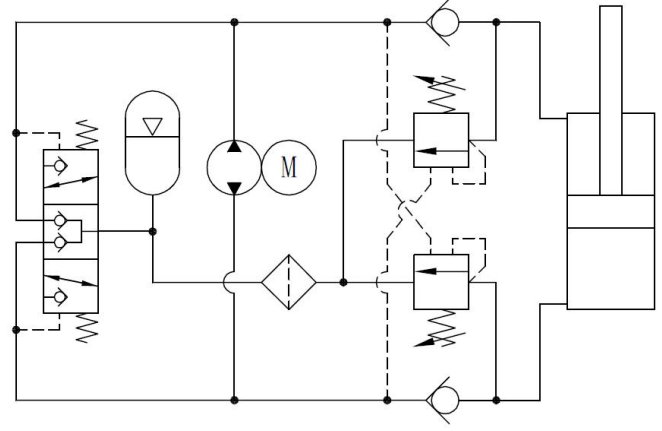
- ① EHA的液压动力源可以单独供货，此时产品型号不再包含执行机构参数，写成“HYC-EHA.PS1kW-*”的形式。 The EHA hydraulic power source can be supplied separately, and the product type no longer contains the actuator parameters, which would be written in the form of "HYC-EHA.PS1kW-*".
- ② 由于应用需求的多样性，基本型号相同的EHA在具体功能和配置上可能存在较大的差异，通常需要在基本型号后增加定制代号以便于区分。如果用户没有指定，则定制代号为本公司设计代号。 Due to the diversity of application requirements, EHA with the same basic model may have large differences in specific functions and configurations, so usually it is necessary to add a custom code for distinction. If the client does not specify, the custom code would be designed by the company.

- 在必要时，本公司可能对产品型号编制规则进行修订，订货前请与本公司确认 If necessary, the company may revise the naming rules of product model. Please confirm with the company before ordering.

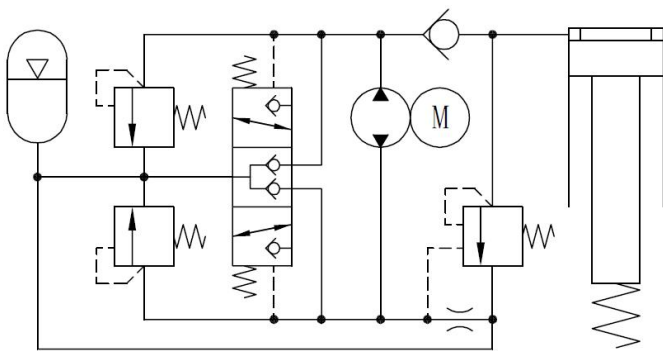
EHA典型液压回路 Typical Circuit of EHA



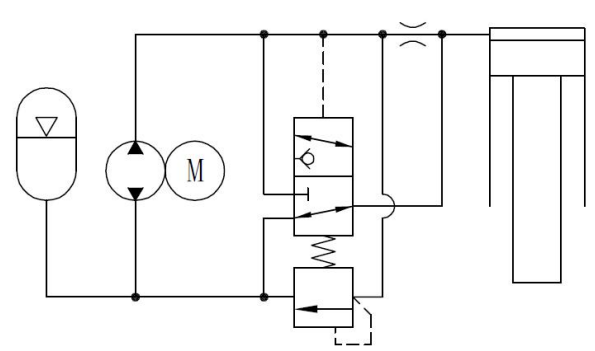
执行机构为双作用对称油缸 The actuator is a double-acting symmetrical cylinder



执行机构为双作用非对称缸 The actuator is a double-acting asymmetric cylinder



执行机构为带弹簧复位的单作用缸 The actuator is a single-acting cylinder with a spring-return device

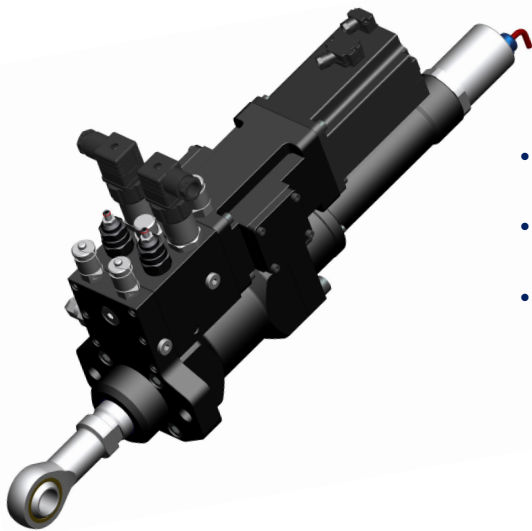


执行机构为自由浮动的单作用缸 The actuator is a floating single-acting cylinder

- 对于响应要求较高的应用场合，执行机构优选双作用对称油缸。 For applications with high response requirements, the actuator will be preferentially selected as a double-acting symmetrical cylinder.
- 此处所列EHA典型液压回路，仅用于表达EHA工作原理，实际产品的液压回路根据具体使用需求而设计。 The typical hydraulic circuits are only used to explain how EHA works, which is designed according to the specific needs of client.

EHA典型案例 Typical Case of EHA

备注：本公司在EHA研发方面积累有丰富经验，实施过许多案例，此处仅选择一些具有代表性的案例进行展示。用户订购产品时仅需提出详细使用需求，而不必受限于本文所列案例。 Notes: The company has rich experience in EHA's development and has implemented many cases. Here, only some representative cases are selected for display. Clients only need to provide detailed requirements when ordering products, not limited to the cases listed in this article.



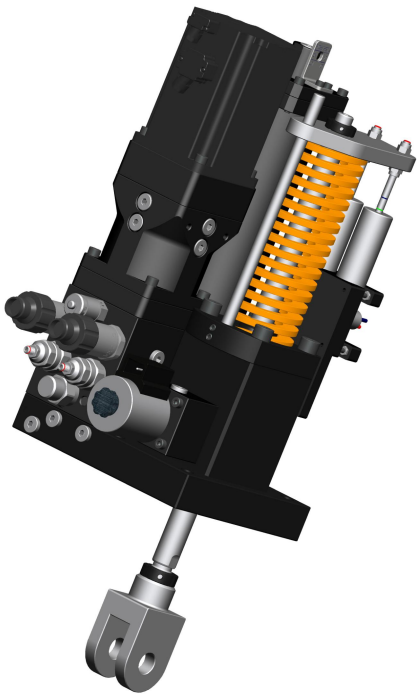
- 基本型号 Basic model: HYC-EHA1kW-L50kN/100mm
- 执行机构 Actuator: 双作用对称缸 Symmetrical cylinder
- 其他说明 Notes: 双侧带平衡阀; 带位移传感器和压力传感器
Counterbalance valves on both sides; Equipped with displacement sensor and pressure sensor



- 基本型号 Basic model: HYC-EHA1.6kW-L6kN/170mm
- 执行机构 Actuator: 双作用对称缸 Symmetrical cylinder
- 其他说明 Notes: 动力源与执行器分体设计; 双侧带平衡阀;
带电磁阀快速复位 (弹簧复位) The actuator installed separately
from the power source; Counterbalance valves on both sides;
Quick reset with a solenoid valve (spring-return)

EHA典型案例 Typical Case of EHA

备注：本公司在EHA研发方面积累有丰富经验，实施过许多案例，此处仅选择一些具有代表性的案例进行展示。用户订购产品时仅需提出详细使用需求，而不必受限于本文所列案例。 Notes: The company has rich experience in EHA's development and has implemented many cases. Here, only some representative cases are selected for display. Clients only need to provide detailed requirements when ordering products, not limited to the cases listed in this article.



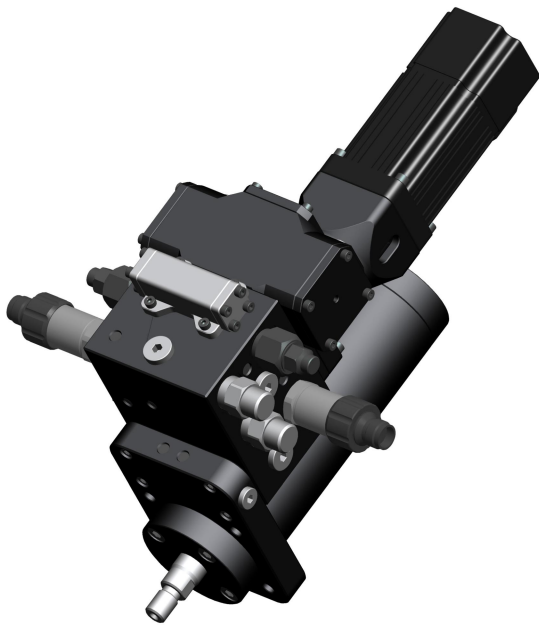
- 基本型号 Basic model: HYC-EHA1kW-L50kN/50mm
- 执行机构 Actuator: 双作用对称缸 Symmetrical cylinder
- 其他说明 Notes: 单侧带平衡阀; 带位移传感器和压力传感器; 带电磁阀快速复位 (弹簧复位) Counterbalance valves on single side; Equipped with displacement sensor and pressure sensor; Quick reset with a solenoid valve (spring-return)



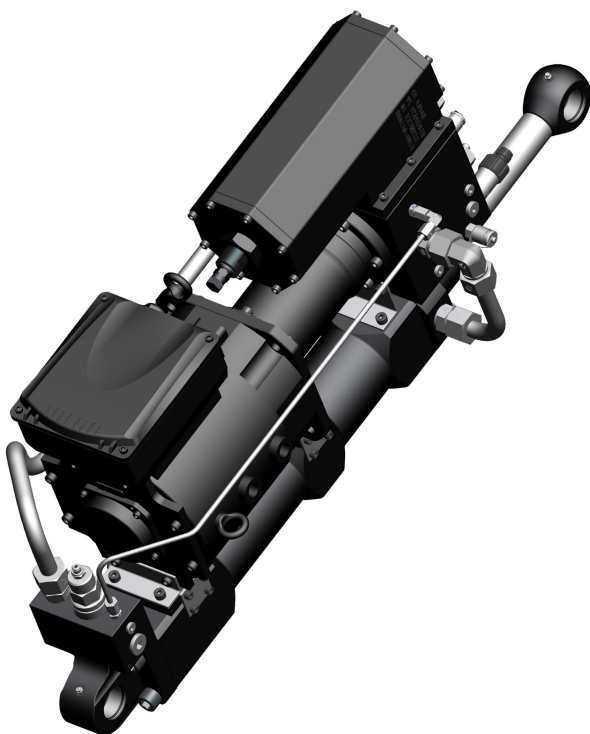
- 基本型号 Basic model: HYC-EHA0.6kW-L20kN/100mm
- 执行机构 Actuator: 双作用对称缸 Symmetrical cylinder
- 其他说明 Notes: 双侧带平衡阀; 带位移传感器和压力传感器; 带电磁阀应急换向 Counterbalance valves on both sides; Equipped with displacement sensor and pressure sensor; Solenoid valve for emergency reversing

EHA典型案例 Typical Case of EHA

备注：本公司在EHA研发方面积累有丰富经验，实施过许多案例，此处仅选择一些具有代表性的案例进行展示。用户订购产品时仅需提出详细使用需求，而不必受限于本文所列案例。 Notes: The company has rich experience in EHA's development and has implemented many cases. Here, only some representative cases are selected for display. Clients only need to provide detailed requirements when ordering products, not limited to the cases listed in this article.



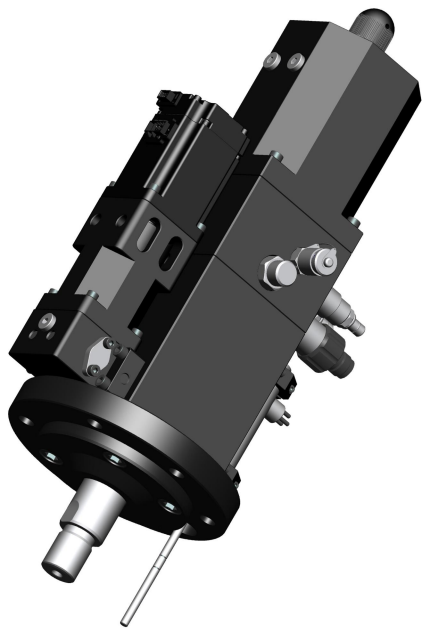
- 基本型号 Basic model: HYC-EHA0.4kW-L20kN/100mm
- 执行机构 Actuator: 双作用**非**对称缸 Asymmetrical cylinder
- 其他说明 Notes: 单侧带平衡阀; 带压力传感器和温度传感器 Counterbalance valves on single side; Equipped with pressure sensor and temperature sensor



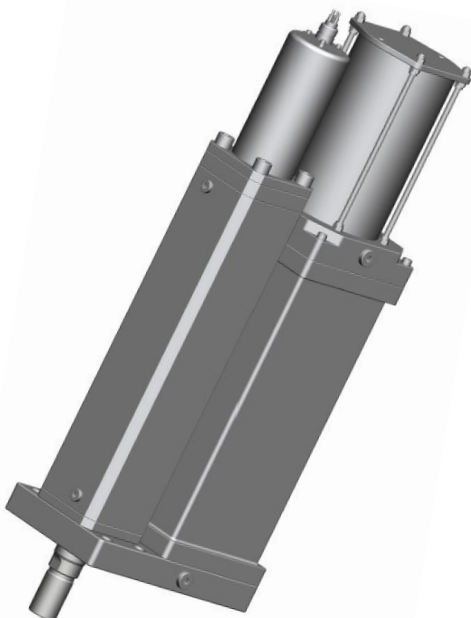
- 基本型号 Basic model: HYC-EHA23kW-L100kN/460mm
- 执行机构 Actuator: 双作用**非**对称缸 Asymmetrical cylinder
- 其他说明 Notes: 双侧带平衡阀; 带压力传感器 Counterbalance valves on both sides; Equipped with pressure sensor

EHA典型案例 Typical Case of EHA

备注：本公司在EHA研发方面积累有丰富经验，实施过许多案例，此处仅选择一些具有代表性的案例进行展示。用户订购产品时仅需提出详细使用需求，而不必受限于本文所列案例。 Notes: The company has rich experience in EHA's development and has implemented many cases. Here, only some representative cases are selected for display. Clients only need to provide detailed requirements when ordering products, not limited to the cases listed in this article.



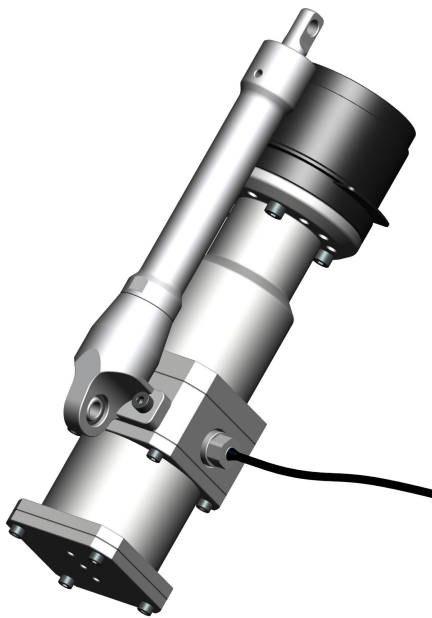
- 基本型号 Basic model: HYC-EHA0.4kW-L52kN/50mm
- 执行机构 Actuator: 双作用**非**对称缸 Asymmetrical cylinder
- 其他说明 Notes: 不带平衡阀; 带位移传感器和压力传感器 No counterbalance valve ; Equipped with displacement sensor and pressure sensor



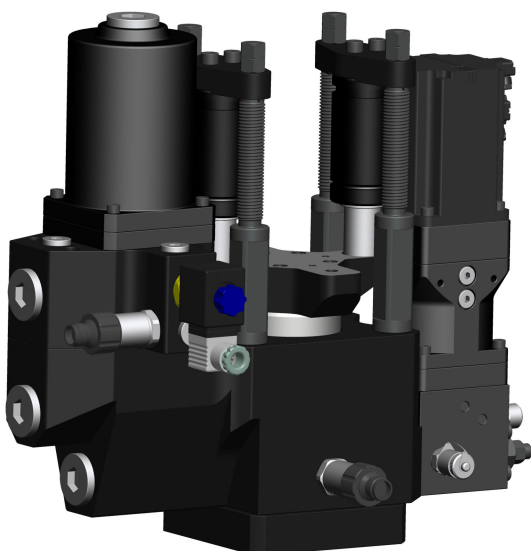
- 基本型号 Basic model: HYC-EHA1kW-L47kN/300mm-DS
- 执行机构 Actuator: 双作用**非**对称缸 Asymmetrical cylinder
- 其他说明 Notes: 适用于深海环境, 抗海水腐蚀; 带位移传感器; 带水压补偿器 Suitable for deep-sea environment, resistant to seawater corrosion; Equipped with displacement sensor and water pressure compensator

EHA典型案例 Typical Case of EHA

备注：本公司在EHA研发方面积累有丰富经验，实施过许多案例，此处仅选择一些具有代表性的案例进行展示。用户订购产品时仅需提出详细使用需求，而不必受限于本文所列案例。 Notes: The company has rich experience in EHA's development and has implemented many cases. Here, only some representative cases are selected for display. Clients only need to provide detailed requirements when ordering products, not limited to the cases listed in this article.



- 基本型号 Basic model: HYC-EHA0.3kW-L3kN/100mm
- 执行机构 Actuator: **单**作用柱塞缸 Plunger-type cylinder
- 其他说明 Notes: 重量仅1.44kg; 带压力传感器; 带助力模式自动切换阀, 电机停转后油缸处于悬浮状态, 电机启动后自动切换为工作模式 Weighs only 1.44kg ; Equipped with pressure sensor and automatic switching valve with power assisted mode, the cylinder is in suspension after the motor stops, then automatically switches to the working mode once the motor starts

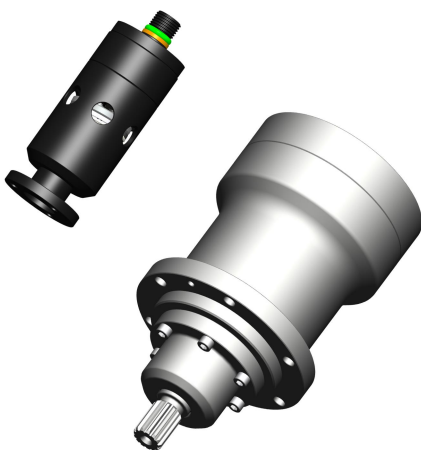


- 基本型号 Basic model: HYC-EHA1kW-L130kN/50mm
- 执行机构 Actuator: **单**作用柱塞缸 Plunger type cylinder
- 其他说明 Notes: 可实现高速卸载, 卸载时10ms可完成约80%行程 (活塞末端设置有缓冲); 带压力传感器和温度传感器 About 80% of the stroke can be completed by 10ms when unloading (piston end is cushioned); Equipped with pressure sensor and temperature sensor

产品简介 Product Profile

- 在某些特殊应用领域或前瞻性项目的液压传动系统设计中，设计者可能遇到没有适用液压元件可选的难题。基于“响应前沿技术需求、关注特殊应用领域”的理念，当市场上的通用型液压元件不能满足使用需求时，本公司或能提供成套解决方案，并按需定制研发所需的液压泵/马达、液压阀、液压缸等配套液压元件。In the design of hydraulic transmission systems for some special applications or prospective research projects, designers may encounter the difficulty of having no suitable hydraulic components to choose from. When the general hydraulic components on the market can not meet the needs of client, the company may be able to provide complete sets of solutions, and customize and develop the required hydraulic pump/motor, hydraulic valve, hydraulic cylinder and other supporting hydraulic components.
- 用户订购产品时仅需提出详细使用需求，而不必受限于本文所列案例。Clients only need to provide detailed requirements when ordering products, not limited to the cases listed in this article.
- 定制液压泵、马达、油缸时，如果没有现货，起订量一般不小于10台。When customizing hydraulic pump, motor or cylinder, if there is no stock, the MOQ is generally not less than 10 pcs.
- 液压阀通常仅随集成设备一起提供，不接受单独订货，大批量订单除外。The company does not accept individual orders for hydraulic valves, except in large quantities.

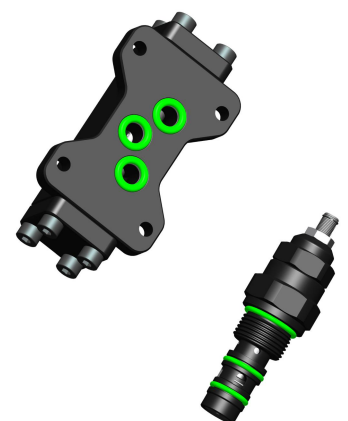
泵/马达 pump/motor



油缸 Cylinder



阀 Valve



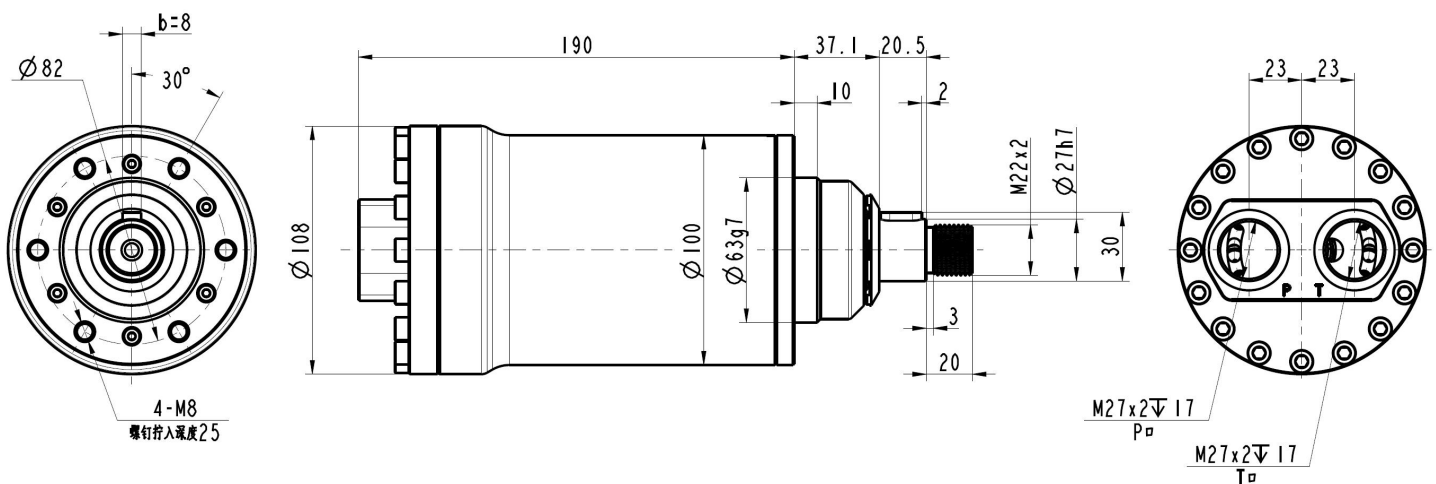
特殊用途液压马达 Special Hydraulic Motor

HYC-M11F24L 水下驱动液压马达 Hydraulic motor driving underwater

- 适用于排水叶轮的驱动（淡水环境），轴端可承载排水叶轮反推力 Suitable for driving the impeller (freshwater environment), and the shaft can bear the impeller's counter thrust
- 轴端设有避免异物损伤主轴密封的排污装置 The shaft end is provided with a blowdown device to prevent foreign matter from damaging the seal of shaft
- 公称排量 Nominal displacement: 24cc/r
- P口最高压力 Port P max pressure : 28MPa
- T口最高压力 Port T max pressure : 0.5MPa
- 额定转速 Rated speed : 2500rpm
- 轴端额定承载能力（拉力） Pull capacity of shaft: 4kN
- 旋向 Direction of rotation: 逆时针 CCW
- 重量 Weight: 6.6kg



外形安装尺寸 Mounting dimensions



- 该马达是客户定制的专属产品，不对其他客户供货，除非技术要求有显著差异。 This motor is an exclusively customized product, and will not be supplied to other customers unless there is a significant difference in technical requirements.

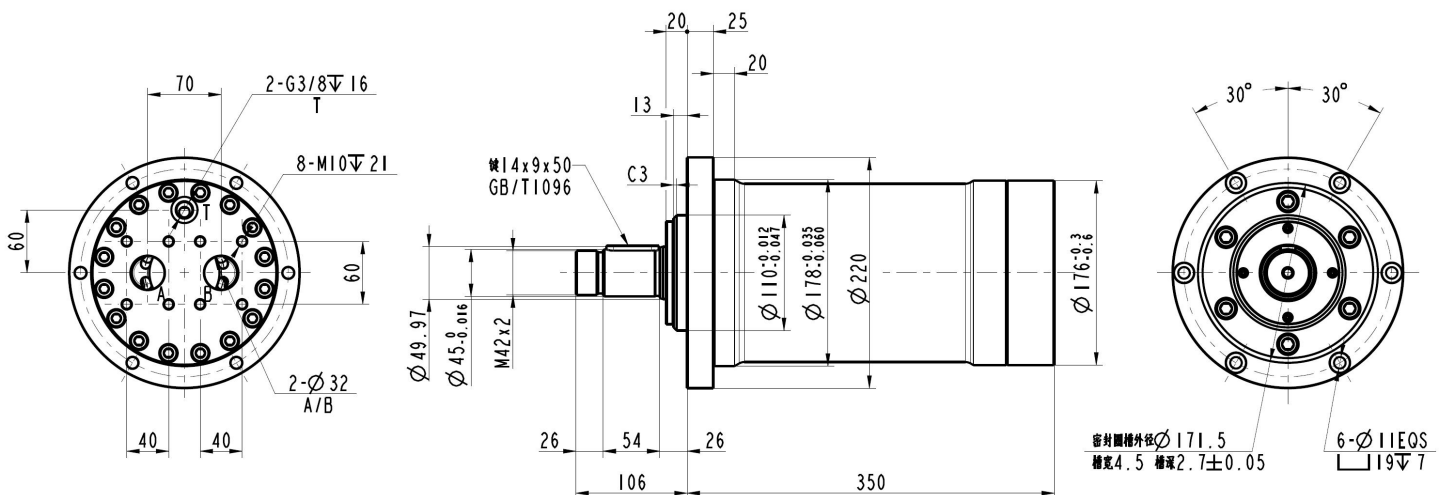
特殊用途液压马达 Special Hydraulic Motor

HYC-M11F125B 水下驱动液压马达 Hydraulic motor driving underwater

- 适用于排水叶轮的驱动（淡水环境），轴端可承载排水叶轮反推力 Suitable for driving the impeller (freshwater environment), and the shaft can bear the impeller's counter thrust
- 公称排量 Nominal displacement: 125cc/r
- A/B口最高压力 Port A/B max pressure: 35MPa
- T口最高压力 Port T max pressure: 0.4MPa
- 额定转速 Rated speed: 2000rpm
- 轴端额定承载能力（推力/拉力） Pull/push capacity of shaft: 24.5kN
- 旋向 Direction of rotation: 双向 Bidirectional
- 重量 Weight: 36.5kg



外形安装尺寸 Mounting dimension



- 该马达是客户定制的专属产品，不对其他客户供货，除非技术要求有显著差异。 This motor is a exclusively customized product, and will not be supplied to other customers unless there is a significant difference in technical requirements.

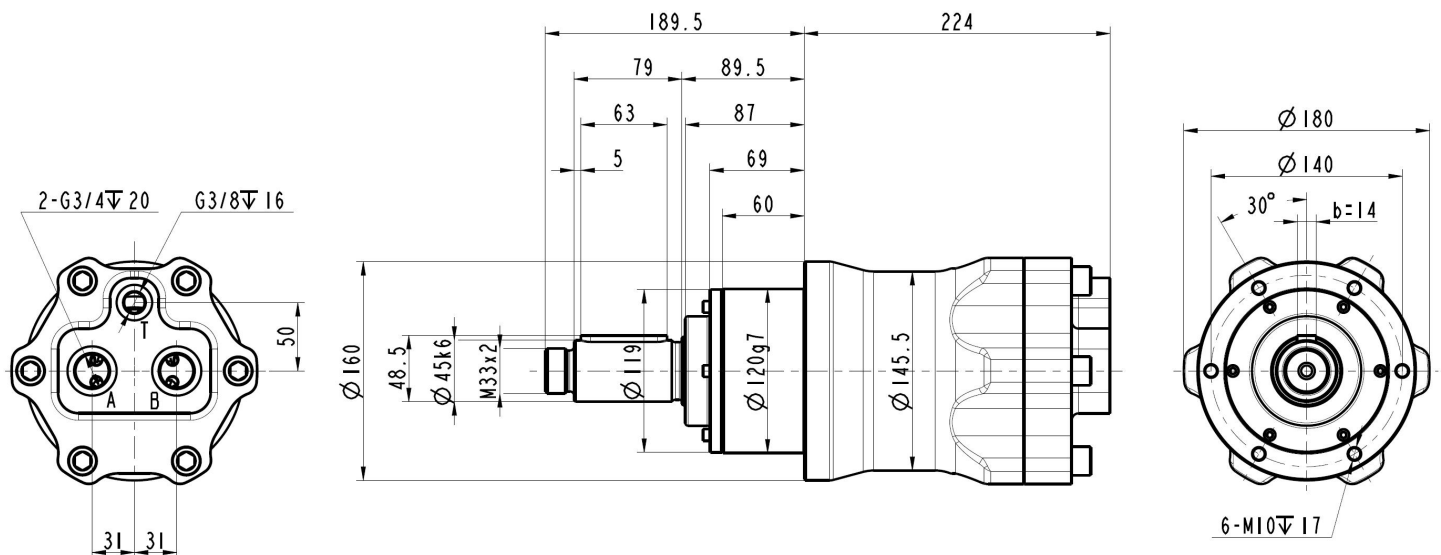
特殊用途液压马达 Special Hydraulic Motor

HYC-M11F76B 水下驱动液压马达 Hydraulic motor driving underwater

- 适用于排水叶轮的驱动，抗海水腐蚀，轴端可承载排水叶轮反推力 Suitable for driving the impeller, resistant to seawater corrosion, and the shaft can bear the impeller's counter thrust
- 公称排量 Nominal displacement: 76cc/r
- A/B口最高压力 Port A/B max pressure : 32MPa
- T口最高压力 Port T max pressure : 0.5MPa
- 额定转速 Rated speed : 2000rpm
- 轴端额定承载能力（推力/拉力） Pull/push capacity of shaft: 10kN
- 旋向 Direction of rotation: 双向 Bidirectional
- 重量 Weight: 33kg



外形安装尺寸 Mounting dimension



- 该马达是客户定制的专属产品，不对其他客户供货，除非技术要求有显著差异。 This motor is an exclusively customized product, and will not be supplied to other customers unless there is a significant difference in technical requirements.

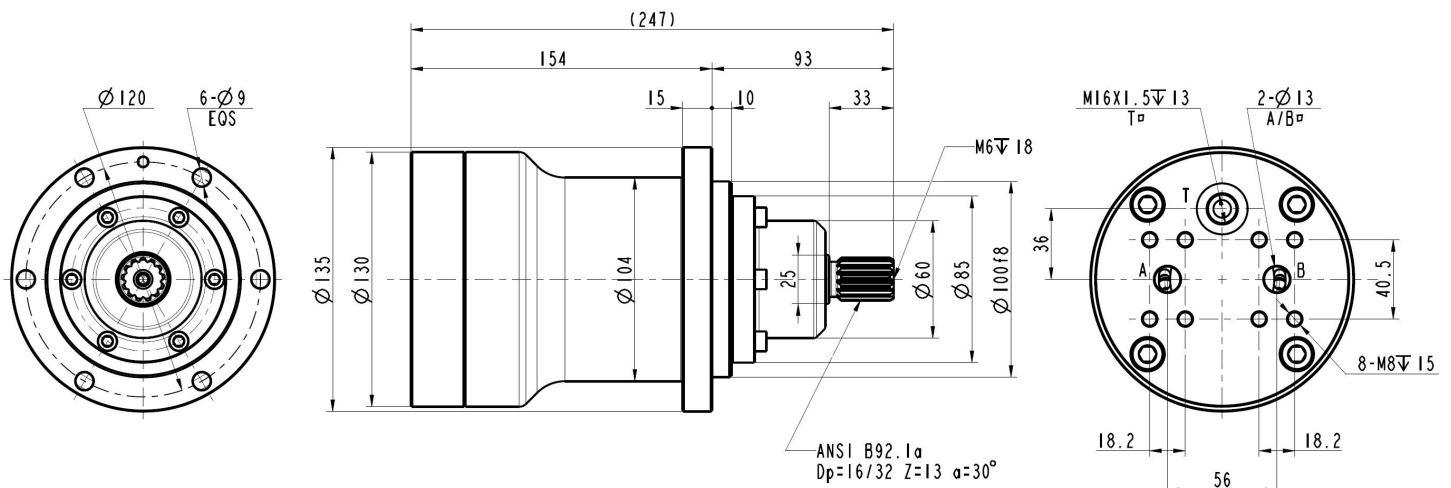
特殊用途液压马达 Special Hydraulic Motor

HYC-M12F25B 深海驱动液压马达 Hydraulic motors driving in the deep sea

- 适用于3000米深海驱动，抗海水腐蚀 Suitable for driving in the deep sea, resistant to corrosion
- 要求油箱配置水压补偿器 The tank is required to be equipped with water pressure compensator
- 公称排量 Nominal displacement: 25cc/r
- A/B口最高压力 Port A/B max pressure: 海水压力 Seawater pressure+ 28MPa
- T口最高压力 Port T max pressure : 海水压力 Seawater pressure + 0.3MPa
- 额定转速 Rated speed : 2500rpm
- 旋向 Direction of rotation: 双向 Bidirectional
- 重量 Weight: 13.5kg



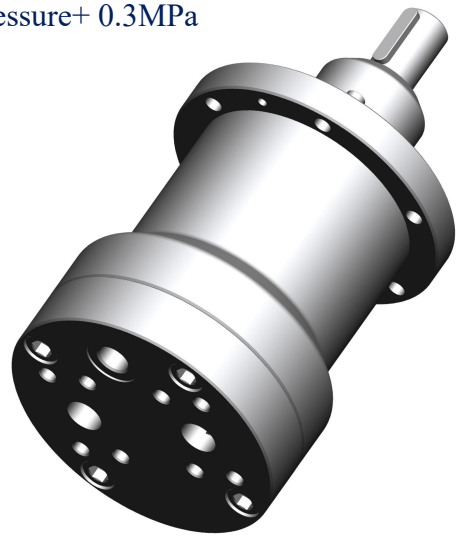
- 外形安装尺寸 Mounting dimension



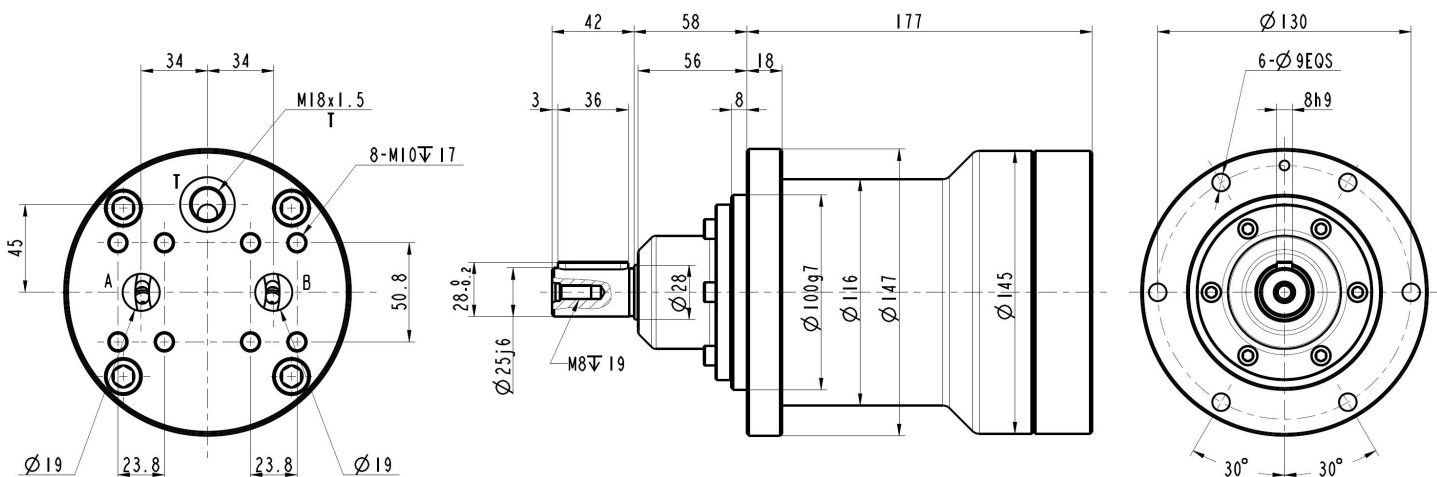
特殊用途液压马达 Special Hydraulic Motor

HYC-M12F43B 深海驱动液压马达 Hydraulic motors driving in the deep sea

- 适用于3000米深海驱动，抗海水腐蚀 Suitable for driving in the deep sea, resistant to corrosion
- 要求油箱配置水压补偿器 The tank is required to be equipped with water pressure compensator
- 公称排量 Nominal displacement: 43cc/r
- A/B口最高压力 Port A/B max pressure: 海水压力 Seawater pressure+ 28MPa
- T口最高压力 Port T max pressure: 海水压力 Seawater pressure+ 0.3MPa
- 额定转速 Rated speed: 2200rpm
- 旋向 Direction of rotation: 双向 Bidirectional
- 重量 Weight: 17.6kg



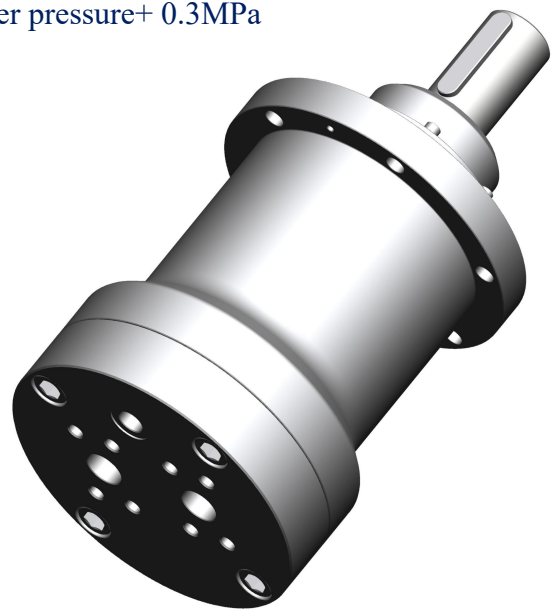
- 外形安装尺寸 Mounting dimension



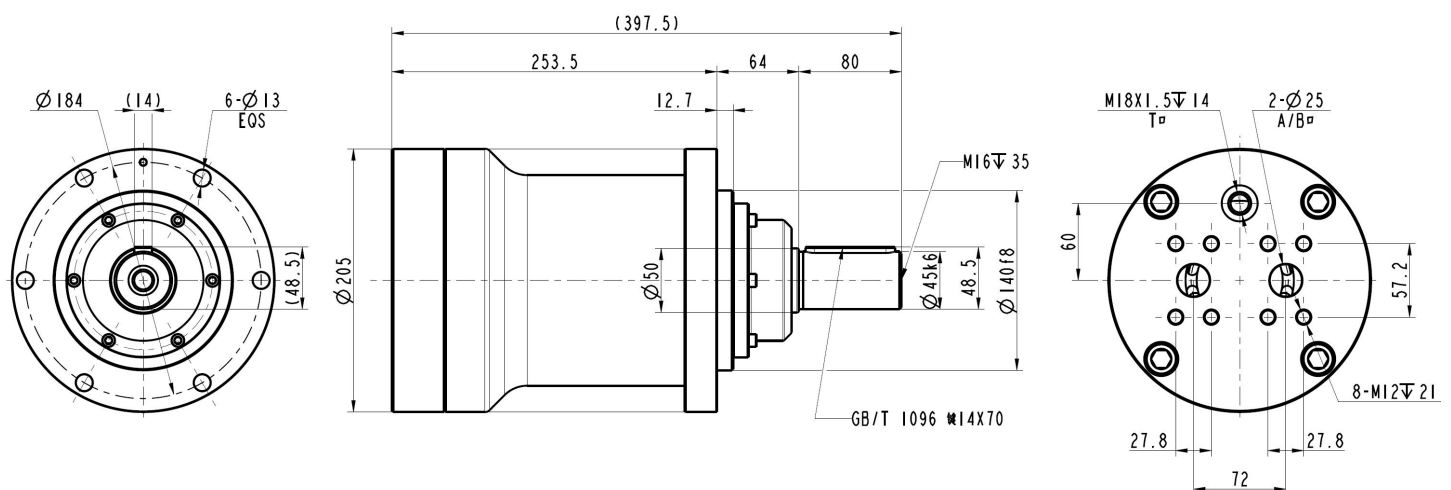
特殊用途液压马达 Special Hydraulic Motor

HYC-M12F120B 深海驱动液压马达 Hydraulic motors driving in the deep sea

- 适用于3000米深海驱动，抗海水腐蚀 Suitable for driving in the deep sea, resistant to corrosion
- 要求油箱配置水压补偿器 The tank is required to be equipped with water pressure compensator
- 公称排量 Nominal displacement: 120cc/r
- A/B口最高压力 Port A/B max pressure: 海水压力 Seawater pressure+ 35MPa
- T口最高压力 Port T max pressure : 海水压力 Seawater pressure+ 0.3MPa
- 额定转速 Rated speed : 2000rpm
- 旋向 Direction of rotation: 双向 Bidirectional
- 重量 Weight: 50.5kg



- 外形安装尺寸 Mounting dimension



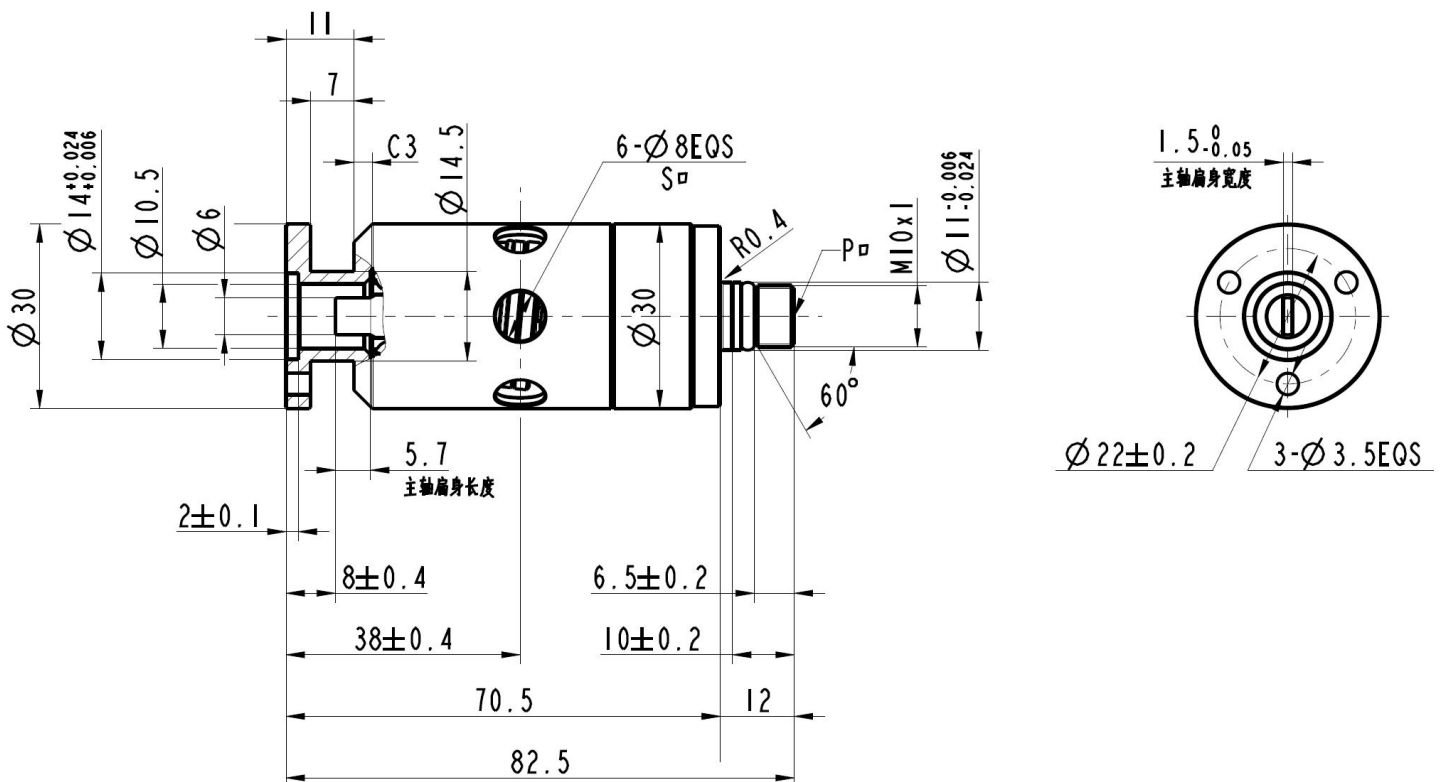
特殊用途液泵 Special Hydraulic Pump

HYC-MP2F0.025B HYC-MP2F0.016B 阀配流微型泵 Micropump with seat valve distribution

- 斜盘式柱塞泵，阀配流，柱塞数量3 Swash-plate piston pump with seat valve distribution, 3 pistons
- 公称排量 Nominal displacement: 0.025cc/r 0.016cc/r
- 额定压力 Rated pressure: 30MPa
- 额定转速 Rated speed : 5000rpm
- 最高温度 Max temperature : 175°C
- 介质粘度 Oil viscosity : 3cst-500cst
- 旋向 Direction of rotation: 双向 Bidirectional
- 重量 Weight: 0.3kg



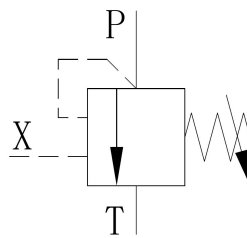
- 外形安装尺寸 Mounting dimensions



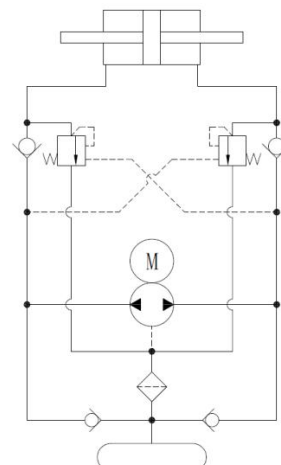
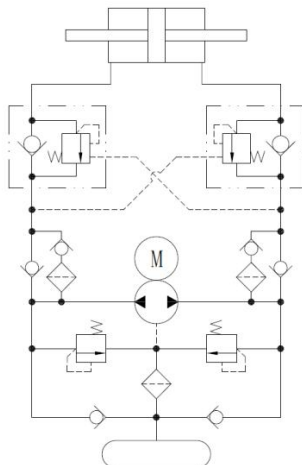
特殊用途液压力阀 Special Hydraulic Valve

HYC-VRCB1 溢流&平衡阀 Relief & counterbalance valve

- 专为EHA研制，在优化EHA性能的同时，简化了液压回路，有利于EHA的小型化和轻量化
Specially developed for EHA, it optimizes the performance of EHA while simplifying the hydraulic circuit, which is conducive to the miniaturization and lightweight of EHA
- 适用于EHA的位置保持，以及保证负负载工况下的平稳运行 Suitable for EHA position holding and smooth operation under the negative load
- 平衡阀开启压力与泵的背压压力无关 The opening pressure of the valve is independent of the back pressure of the pump
- 通过更换先导阀芯可获得不同的控制比 Different pilot control ratios can be obtained by replacing the pilot spool
- 额定流量 Rated flow: 15LPM
- 额定压力 Rated pressure : 30MPa
- 控制比 Pilot control ratio: 3.8; 6.8
- 重量 Weight: 140g



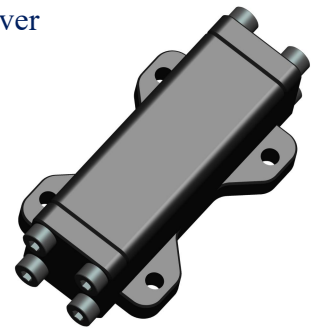
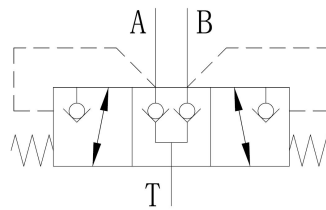
采用传统平衡阀和采用溢流&平衡阀的EHA液压回路比较 Comparison of EHA hydraulic circuits using conventional counterbalance valves and relief & counterbalance valves



特殊用途液压阀 Special Hydraulic Valve

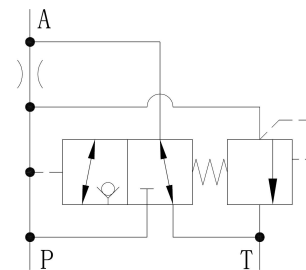
HYC-VFM1 流量匹配阀 Flow matching valve

- 适用于执行机构为非对称油缸的EHA，标准阀板式安装；根据需要使用，阀芯也可内嵌于泵的端盖 Suitable for EHA whose actuator is asymmetrical cylinder, the standard valve is plate-mounted; According to the needs, the spool can also be embedded with the pump's cover
- 额定流量 Rated flow: 5 LPM
- 额定压力 Rated pressure: 30MPa
- 标准阀重量 Standard valve weight: 340g



HYC-VRHS1 助力模式自动切换阀 Automatic switching valve with power assisted mode

- 为外骨骼研制，兼有自动换向阀和安全阀功能 Developed for exoskeleton, and functions as both an automatic reversing valve and a safety valve
- 额定流量 Rated flow: 5 LPM
- 额定压力 Rated pressure: 30MPa.
- 重量 Weight: 22g

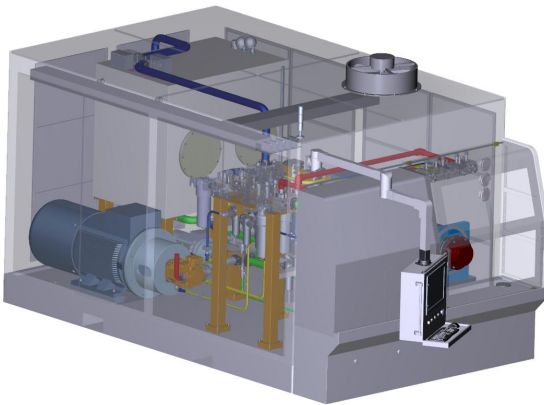


- 液压阀通常仅随集成设备一起提供，不接受单独订货，大批量订单除外 The company does not accept individual orders for hydraulic valves, except in large quantities

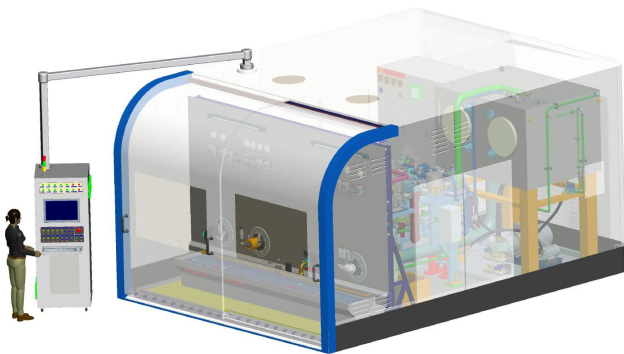
产品简介 Product Profile

- 本公司承接成套机电液设备的定制，包括但不限于试验台，工业液压站，工程机械液压站等，此处仅列出几个典型案例。The company accepts orders for electromechanical hydraulic integrated equipment, including but not limited to testbed, industrial hydraulic station, engineering machinery hydraulic station, etc, but only a few typical cases are listed here.

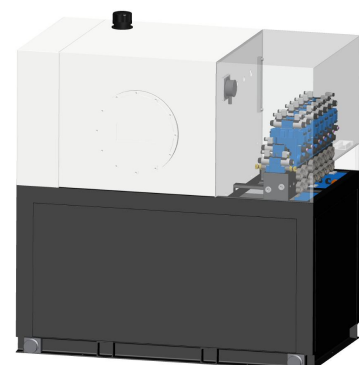
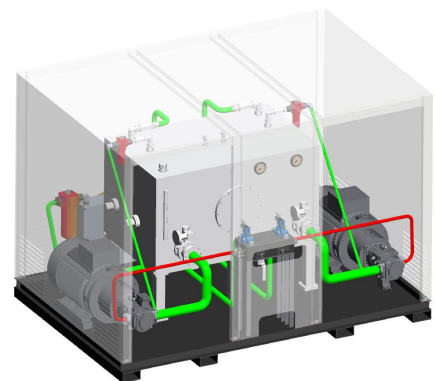
马达出厂试验台 Hydraulic motor testbed



泵&马达型式试验台 Hydraulic pump & motor testbed



工业液压站 Industrial hydraulic station





企业使命 弘扬创新精神、提供先进产品

企业愿景 在特定领域内备受推崇

核心价值观 正直诚信；敢为人先

经营理念 为顾客创造价值，是公司存在的根本

企业作风 勤奋敬业、好学尚新

行动准则 做正确的事，把正确的事做好



0851-86320695



13885104255@163.com



<http://www.hzl-hydraulic.com>



贵州省贵阳市乌当区新添大道北段125号新添国际13层6号



Web



WeChat